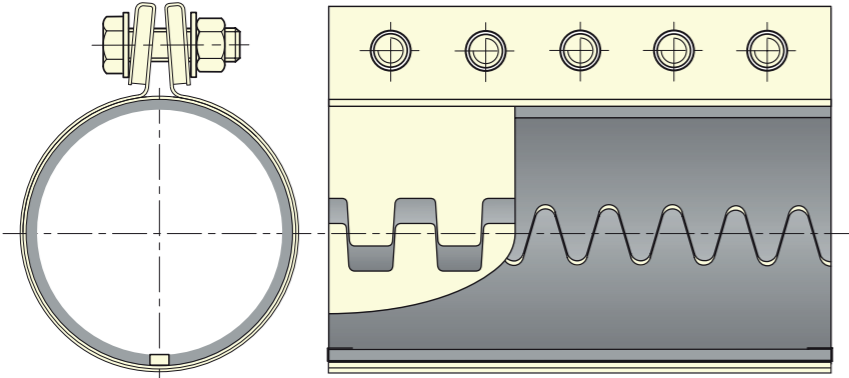


COMPRESSION COUPLINGS ARE USED IN PNEUMATIC CONVEYING, VACUUM OR PRESSURE SYSTEMS.



**SPECIFICATION OF STANDARD COUPLING:**

- Outside skin in galvanised steel
- Inside skin in galvanised steel
- White NBR gasket FDA -30°C/+110°C ; European Regulation 1935/2004 CE and REACH 1907/2006 CE
- Zinc plated bolts
- Stainless steel 304 L, conductivity strip

**OTHER OPTIONS:**

- All stainless steel 304L version
- Black SBR gasket -30°C/+80°C
- Silicone VMQ gasket -65°C/+225°C
- Viton FPM gasket -20°C/+250°C
- Coupling with clamp and side bars (see ex.)
- Conductivity strip in copper CU A1 (see ex.)
- Conductive protection ring in stainless steel 304L

Reference to regulation N° 97/23/CE.G2 Art. 3 §3

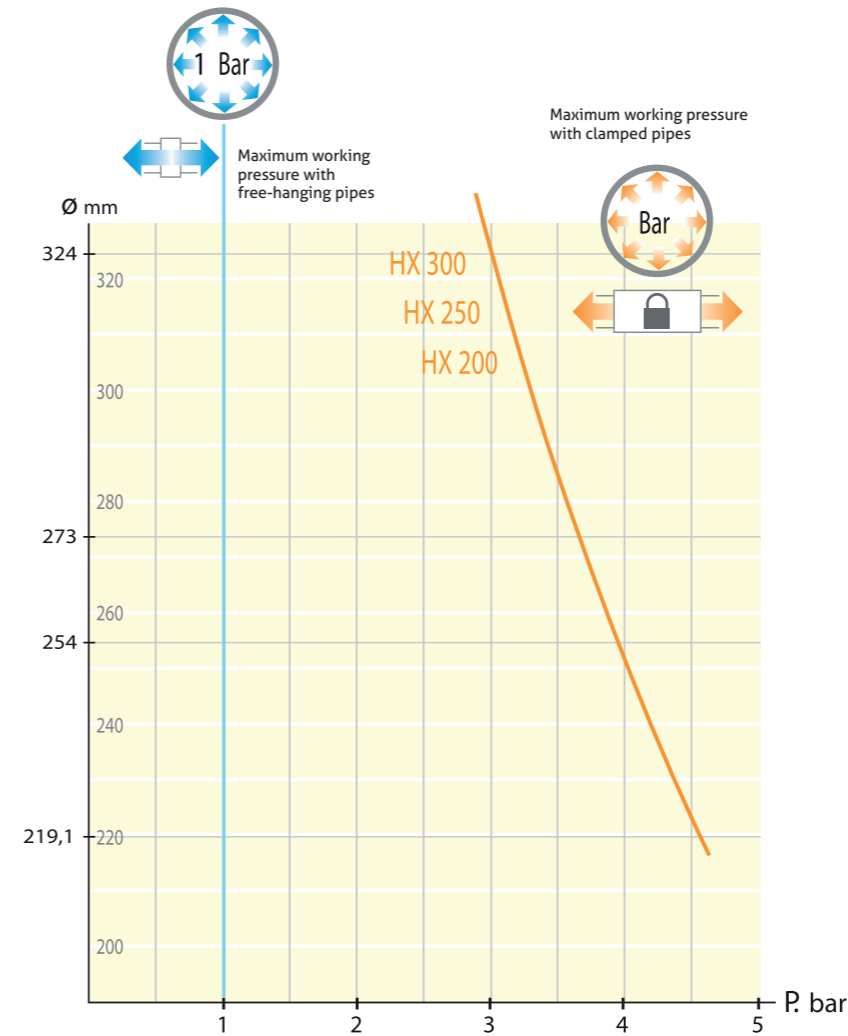
Product marking

Example: **EURAC HX** D 254

<b>L</b>	200-250-300 mm
<b>Ø</b>	200<->355,6 mm
<b>BOLTS</b>	M20
<b>TIGHTENING</b>	200 N/mm



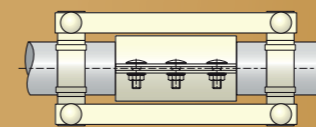
**MAX. PRESSURE CURVE FOR EURAC HX200, HX250 & HX300**



Ø	L 200	L 250	L 300
200			
203,2			
219,1			
244,5			
254			
273			
323,9			
355,6			

**Order specific**  
Other diameters can be offered

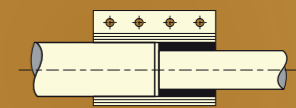
**OPTIONS:**



- Coupling with clamp and side bars



- Conductive protection ring in stainless steel 304L



- Coupling for two tubes with different diameters