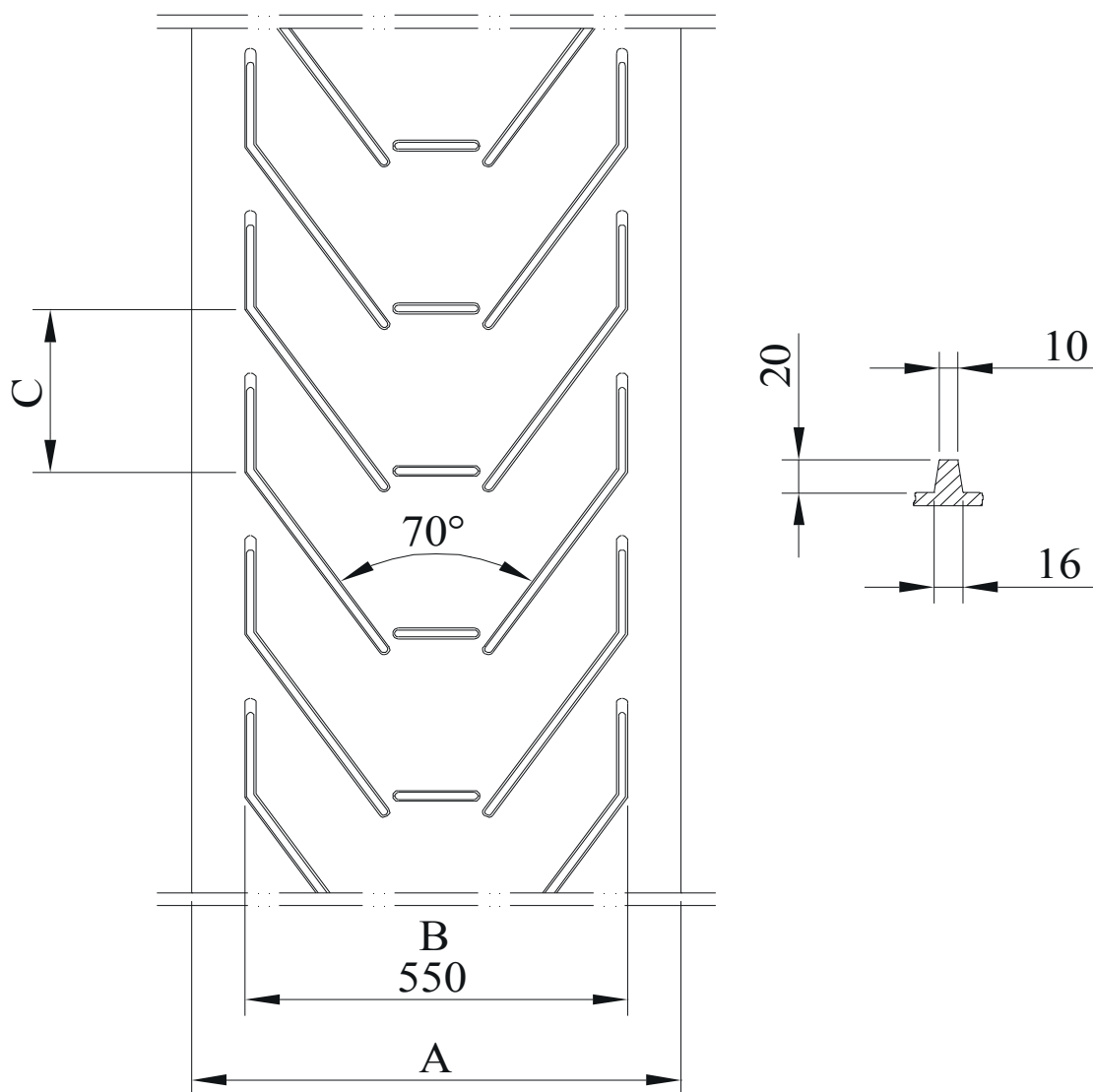




MADE-TO-ORDER CHEVRON BELTING MD-550/20



Type	Profile height mm	Profile width mm B	Belt width mm A	Pitch	Base belt
MD550/20	20	550	600-2400	250	Made-to-order

Skandinavisk Båndkompagni A/S

Birkegårdsvej 34A • DK 8361 Hasselager • Tel. +45 8734 7080 • info@sbk-belt.dk • www.sbk-belt.dk

Subject to alterations