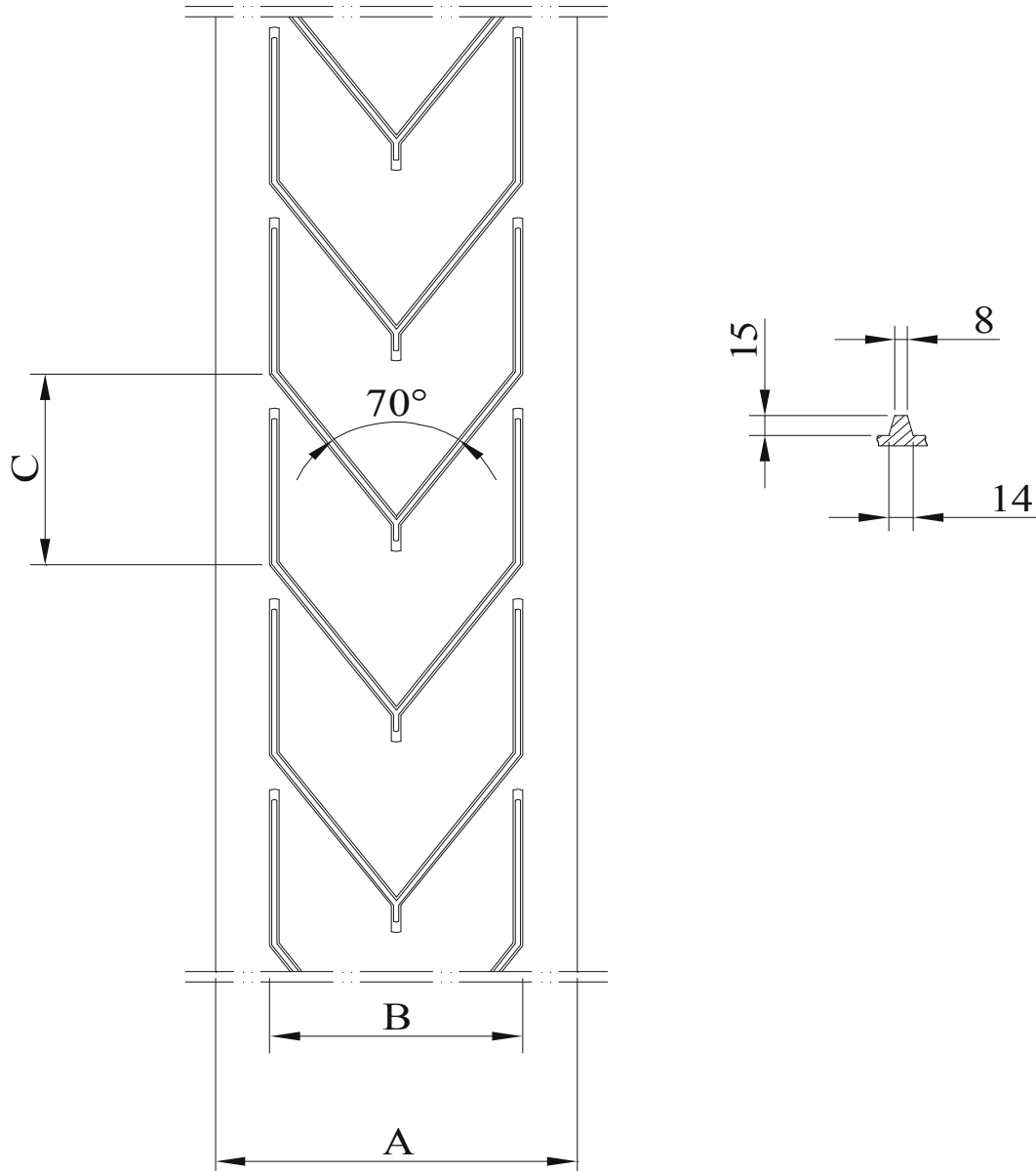


SBK



MADE-TO-ORDER CHEVRON BELTING SA-15



Type	Profile height mm	Profile width mm B	Belt width mm A	Pitch	Base belt
SA230/15	15	230	300-2400	250	Made-to-order
SA420/15	15	420	500-2400	365	Made-to-order
SA600/15	15	600	650-2400	333	Made-to-order

Skandinavisk Båndkompagni A/S

Birkegårdsvej 34A • DK 8361 Hasselager • Tel. +45 8734 7080 • info@sbk-belt.dk • www.sbk-belt.dk

Subject to alterations