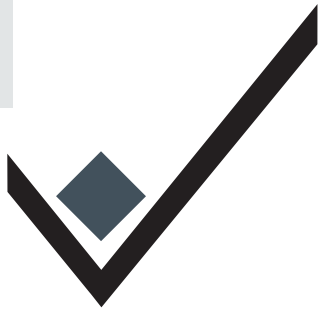
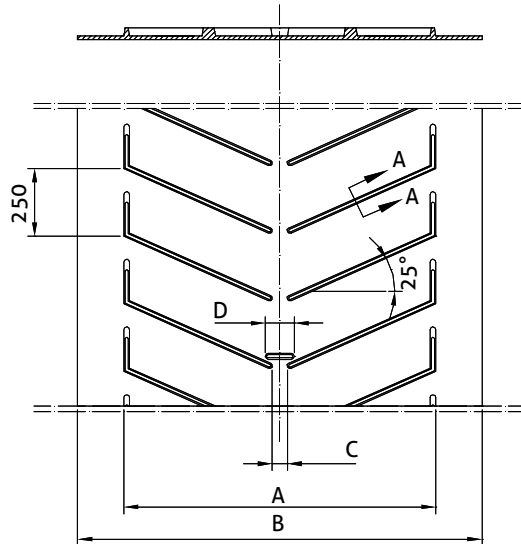


SBK

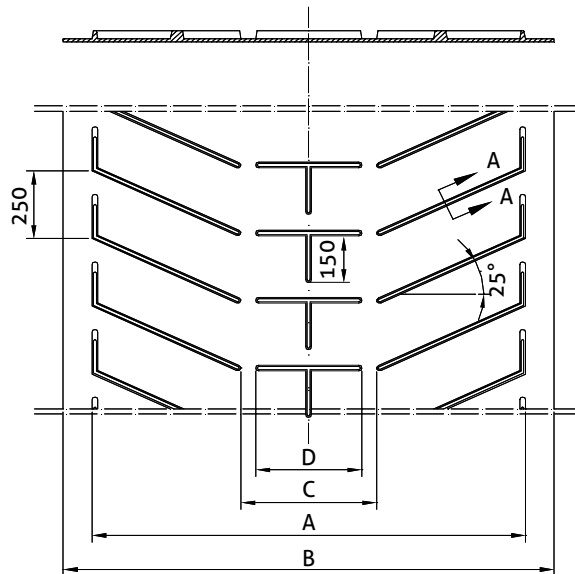
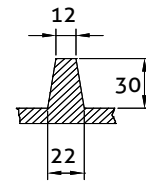


MADE-TO-ORDER CHEVRON BELTING VMHS-30



VMHS-30/1080

Cross section A-A



VMHS-30/1500

Type	Profile height mm	Profile width mm A	Belt width mm B	Base belt	Distande between profiles C	Length of profile D
VMHS-30/1080	30	1080	1100-1500	Made-to-order	50	370
VMHS-30/1500	30	1500	1500-2000	Made-to-order	470	

Skandinavisk Båndkompagni A/S

Birkegårdsvej 34A • DK 8361 Hasselager • Tel. +45 8734 7080 • info@sbk-belt.dk • www.sbk-belt.dk

Subject to alterations