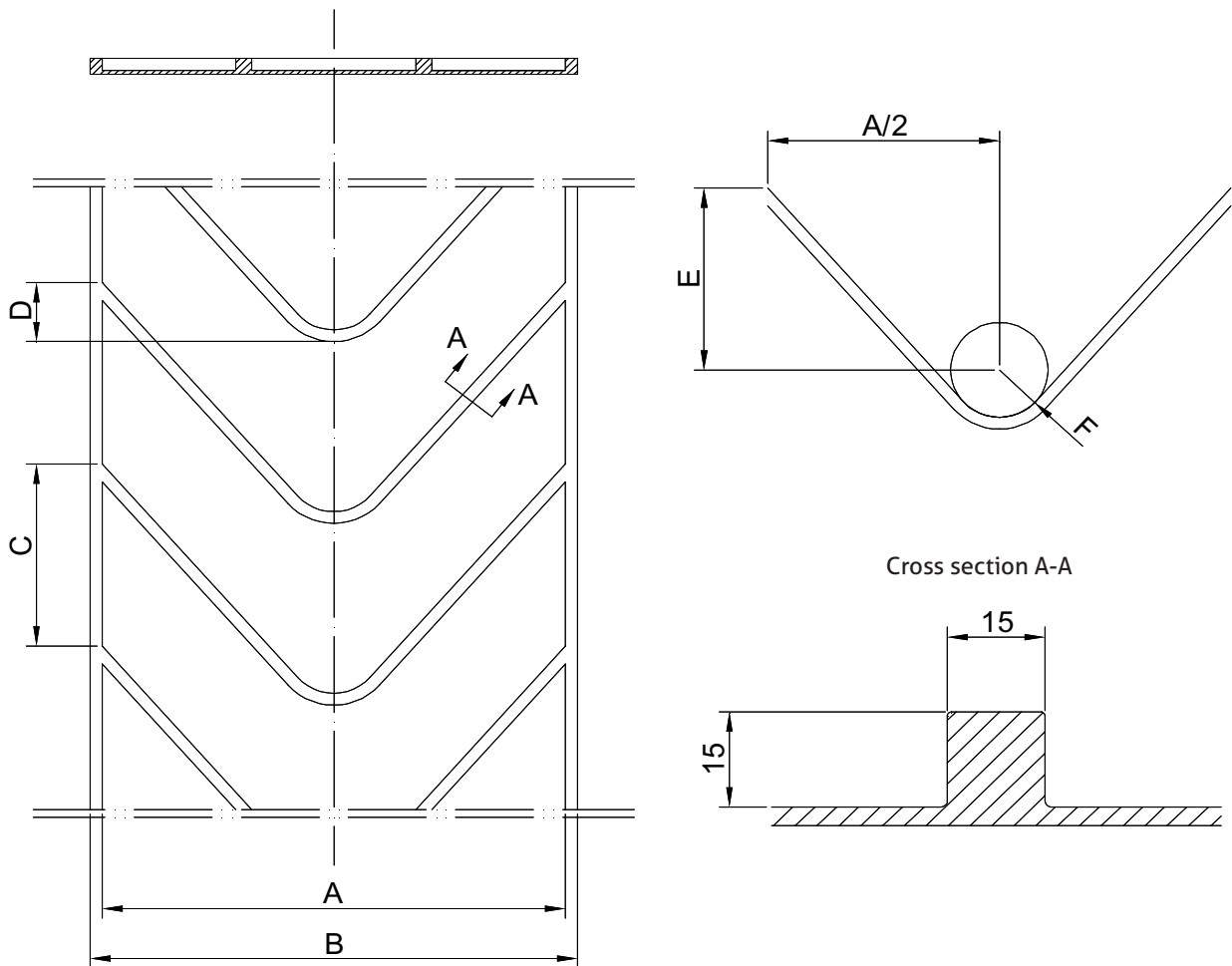


# SBK



## STANDARD CHEVRON BELTING VMUL-15



Type	Profile height mm	Profile width mm A	Belt width mm B	Base belt	Pitch	D	E	F
VMUL-15/470	15	470	500	EP250/2-2+1,5	230	60°	230	60
				EP400/3-3+1,5				
VMUL-15/570	15	570	600	EP250/2-2+1,5	230	75°	230	60
				EP400/3-3+1,5				
VMUL-15/770	15	770	800	EP250/2-2+1,5	300	100°	300	100
				EP400/3-3+1,5				

**Skandinavisk Båndkompagni A/S**

Birkegårdsvej 34A • DK 8361 Hasselager • Tel. +45 8734 7080 • info@sbk-belt.dk • www.sbk-belt.dk

*Subject to alterations*