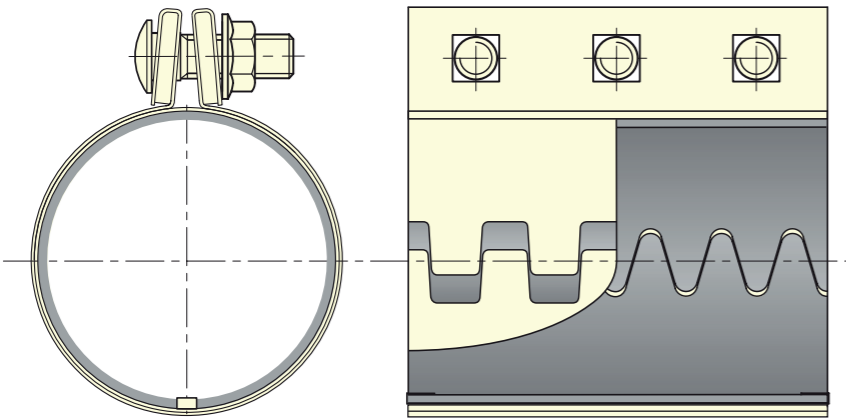


COMPRESSION COUPLINGS ARE USED IN PNEUMATIC CONVEYING, VACUUM OR PRESSURE SYSTEMS.



**SPECIFICATION OF STANDARD COUPLING:**

- Outside skin in galvanised steel 430
- Inside skin in galvanised steel 430
- White NBR gasket -30°C/+110°C ; European Regulation 1935/2004 CE and REACH 1907/2006 CE
- Zinc plated bolts
- Stainless steel 304 L, conductivity strip

**OTHER OPTIONS:**

- All stainless steel 304L version
- Black SBR gasket -30°C/+80°C
- Silicone VMQ gasket -65°C/+225°C
- Viton FPM gasket -20°C/+250°C
- Coupling with clamp and side bars (see ex.)
- Coupling for tubes with different diameters (see ex.)
- Conductivity strip in copper CU A1
- Conductive protecting ring in stainless steel 304L (see ex.)

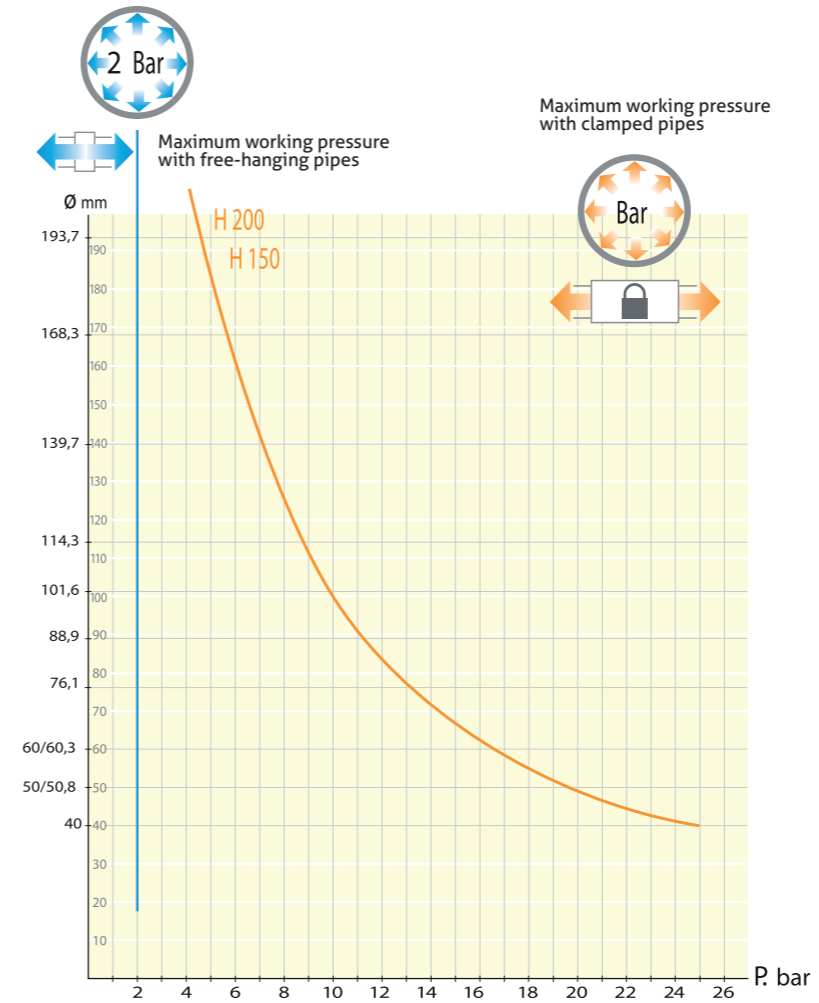
Reference to regulation N° 97/23/CE.G2 Art. 3 53

Product marking

Example: **EURAC H** D 88,9

L	150-200 mm
Ø	38.1<->219.1 mm
BOLTS	M12<88,9 - M16>88,9
TIGHTENING	M12: 60 N/mm M16: 16 N/mm

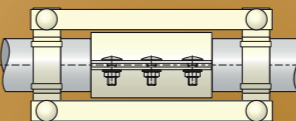

MAX. PRESSURE CURVE FOR EURAC H150 & H200



Ø	L 150	L 200
38,1		
40		
45		
48,3		
50/50,8		
54		
55		
60/60,3		
63,5		
65		
70		
75		
76,1		
80		
82		
84		
85		
88,9		
90		
95		
100		
101,6		
104		
105		
108		
114,3		
125		
127		
129		
133		
139,7		
145		
152,4		
154		
155		
159		
168,3		
219,1		

Standard types   
 Order specific   
 Other diameters can be offered

**OPTIONS:**

- Coupling with clamp and side bars 
- Conductive protection ring in stainless steel 304L 
- Coupling for two tubes with different diameters 