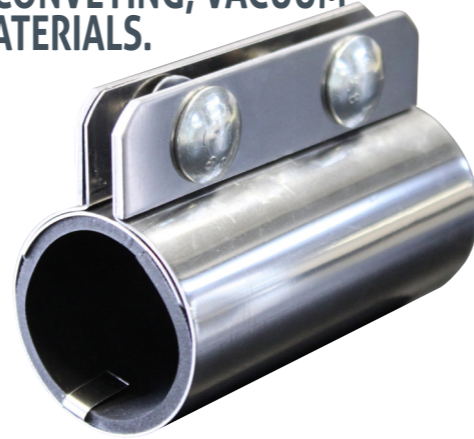
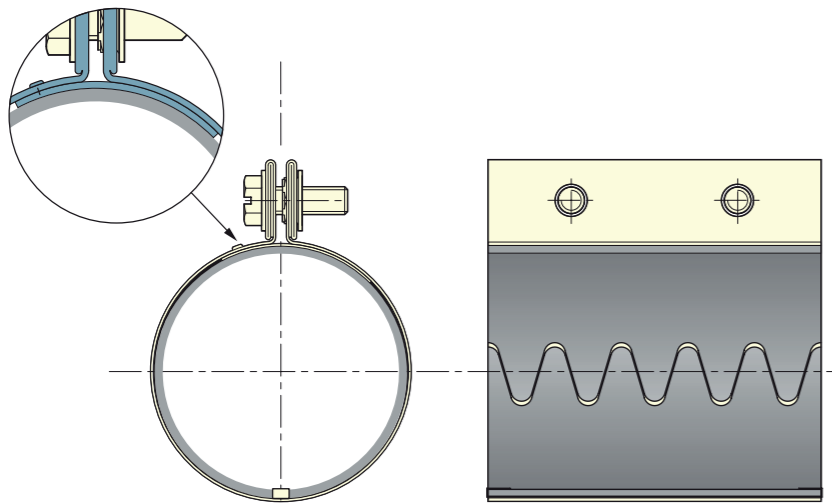


COMPRESSION COUPLINGS ARE USED IN PNEUMATIC CONVEYING, VACUUM OR PRESSURE SYSTEMS TO HANDLE LIGHTER BULK MATERIALS.



SPECIFICATION OF STANDARD COUPLING:

- Outside skin in stainless steel 430
- Black SBR gasket -30°C/+80°C
- Zinc plated bolts
- Stainless steel 304 L, conductivity strip

OTHER OPTIONS:

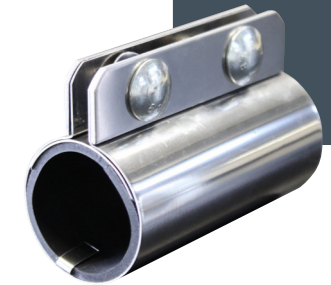
- All stainless steel 304L version
- White NBR gasket FDA -30°C/+110°C ; European Regulation 1935/2004 CE and REACH 1907/2006 CE
- Silicone VMQ gasket -65°C/+225°C
- Viton FPM gasket -20°C/+250°C
- Coupling with clamp and side bars (see p. 5)
- Coupling for two tubes with different diameters
- Conductivity strip in copper CU A1
- Conductive protecting ring in stainless steel 304L (see example)

Reference to regulation N° 97/23/CE.G2 Art. 3 §3

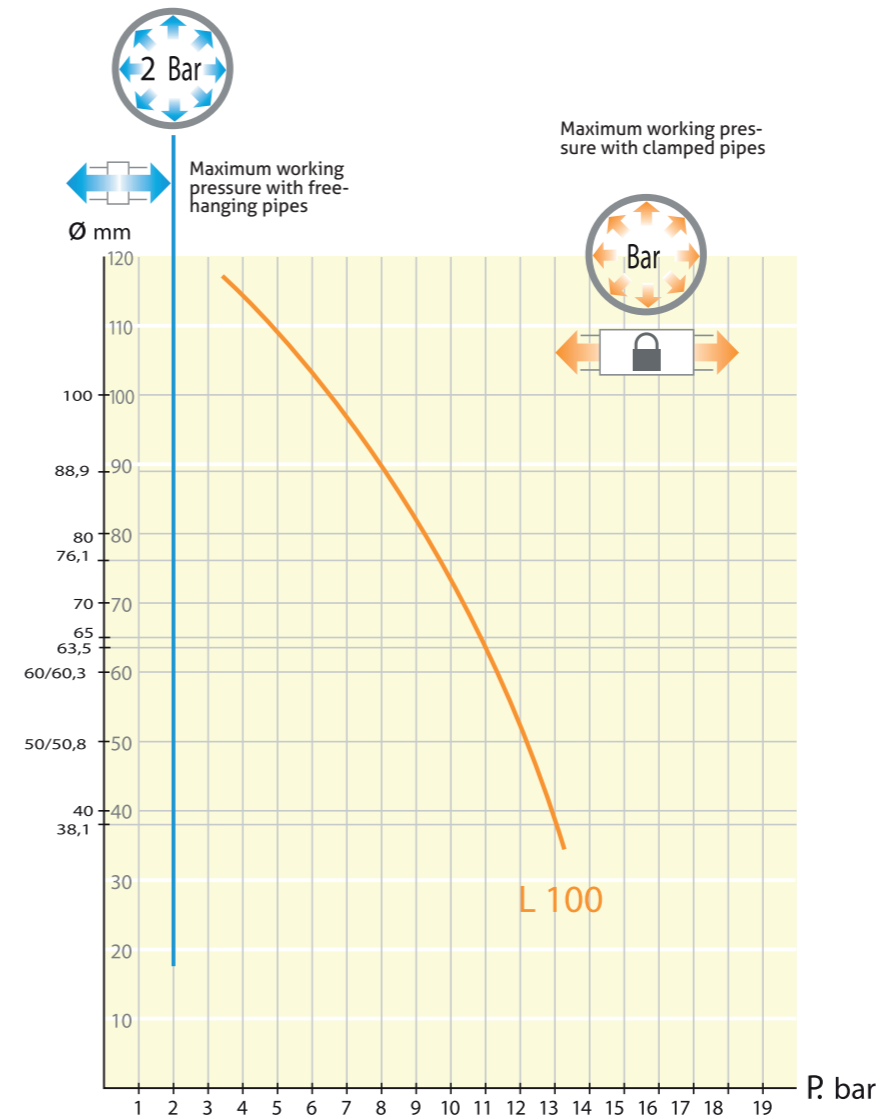
Product marking

Example: **EURAC** D 54

L	100 mm
Ø	38.1 $\lt; \gt; 114.3$ mm
BOLTS	M8
TIGHTENING	16 N/mm



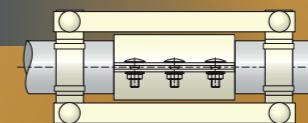
MAX. PRESSURE CURVE FOR EURAC L100



Ø	L 100
38,1	Standard
40	Order specific
45	Standard
48,3	Standard
50/50,8	Order specific
54	Standard
55	Standard
60/60,3	Order specific
63,5	Order specific
65	Standard
70	Order specific
75	Standard
76,1	Order specific
80	Standard
82	Standard
84	Standard
85	Standard
88,9	Order specific
90	Standard
95	Standard
100	Standard
101,6	Order specific
104	Standard
105	Standard
108	Standard
114,3	Order specific

OPTIONS:

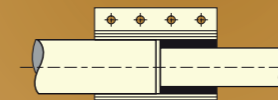
- Coupling with clamp and side bars



- Conductive protection ring in stainless steel 304L



- Coupling for two tubes with different diameters



Standard types

Order specific

Other diameters can be offered