

# BENDS & COMPRESSION COUPLINGS





EURAC® pipe/tube couplings – also known as compression couplings – are designed to join pipes/tubes in pneumatic conveying, vacuum or pressure systems. Our standard offer is EURAC® couplings in AISI 304 stainless steel with a conductivity strip. Standard EURAC® couplings are made in stainless steel type 1.4016/AISI 430 or galvanised steel. On request we offer couplings in AISI 304.

Gaskets for EURAC® couplings are available in black SBR rubber or white FDA NBR rubber, also according to EN 1935/2004 and REACH 1907/2006 CE. We also offer gaskets in other materials, e.g. silicone or Viton®, depending on the application.

We offer standard pipe couplings from Ø38.1 mm to Ø355.6 mm.

We also offer stainless steel bends and connectors for quick and easy flange-free fitting.

SBK A/S offers day-to-day deliver of selected standard couplings.

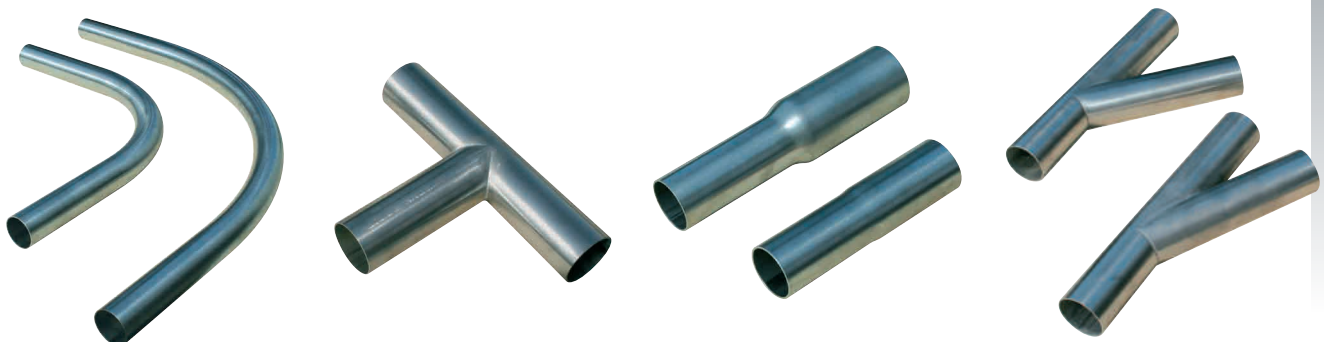




## COMPRESSION COUPLINGS FOR PNEUMATIC TRANSPORT

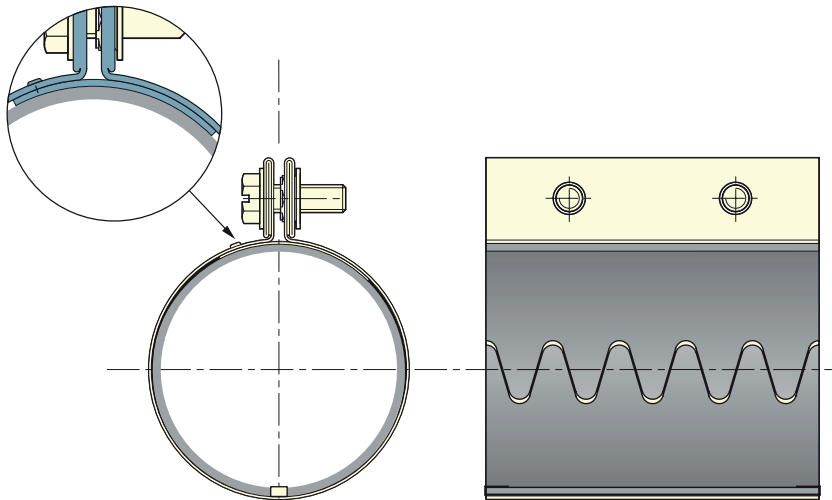
- |             |   |  |   |
|-------------|---|--|---|
| <b>L</b>    | Compression couplings are used in pneumatic conveying, vacuum or pressure systems to handle lighter bulk materials. |    | <b>L100</b><br>ø 38,1 < > 114,3               |
| <b>M</b>    | Compression couplings are used in pneumatic conveying, vacuum or pressure systems to handle lighter bulk materials. |    | <b>L150</b><br>ø 38,1 < > 114,3               |
| <b>H</b>    | Compression couplings are used in pneumatic conveying, vacuum or pressure systems to handle heavier bulk materials. |   | <b>L150-L200</b><br>ø 38,1 < > 219,1          |
| <b>HL</b>   | Compression couplings are used in pneumatic conveying, vacuum or pressure systems to handle heavier bulk materials. |  | <b>L100 - L150 - L200</b><br>ø 38,1 < > 114,3 |
| <b>HX</b>   | Compression couplings are used in pneumatic conveying, vacuum or pressure systems to handle heavier bulk materials. |  | <b>L200-L250-L300</b><br>ø 200 < > 355,6      |
| <b>FLEX</b> | Compression couplings are used in pneumatic conveying, vacuum or pressure systems to handle lighter bulk materials. |  | <b>L100</b><br>ø 38,1 < > 114,3               |

## BENDS Pipe/tube & couplings



Subject to alteration

COMPRESSION COUPLINGS ARE USED IN PNEUMATIC CONVEYING, VACUUM OR PRESSURE SYSTEMS TO HANDLE LIGHTER BULK MATERIALS.



**SPECIFICATION OF STANDARD COUPLING:**

- Outside skin in stainless steel 430
- Black SBR gasket -30°C/+80°C
- Zinc plated bolts
- Stainless steel 304 L, conductivity strip

**OTHER OPTIONS:**

- All stainless steel 304L version
- White NBR gasket FDA -30°C/+110°C ; European Regulation 1935/2004 CE and REACH 1907/2006 CE
- Silicone VMQ gasket -65°C/+225°C
- Viton FPM gasket -20°C/+250°C
- Coupling with clamp and side bars (see p. 5)
- Coupling for two tubes with different diameters
- Conductivity strip in copper CU A1
- Conductive protecting ring in stainless steel 304L (see example)

Reference to regulation N° 97/23/CE.G2 Art. 3 §3

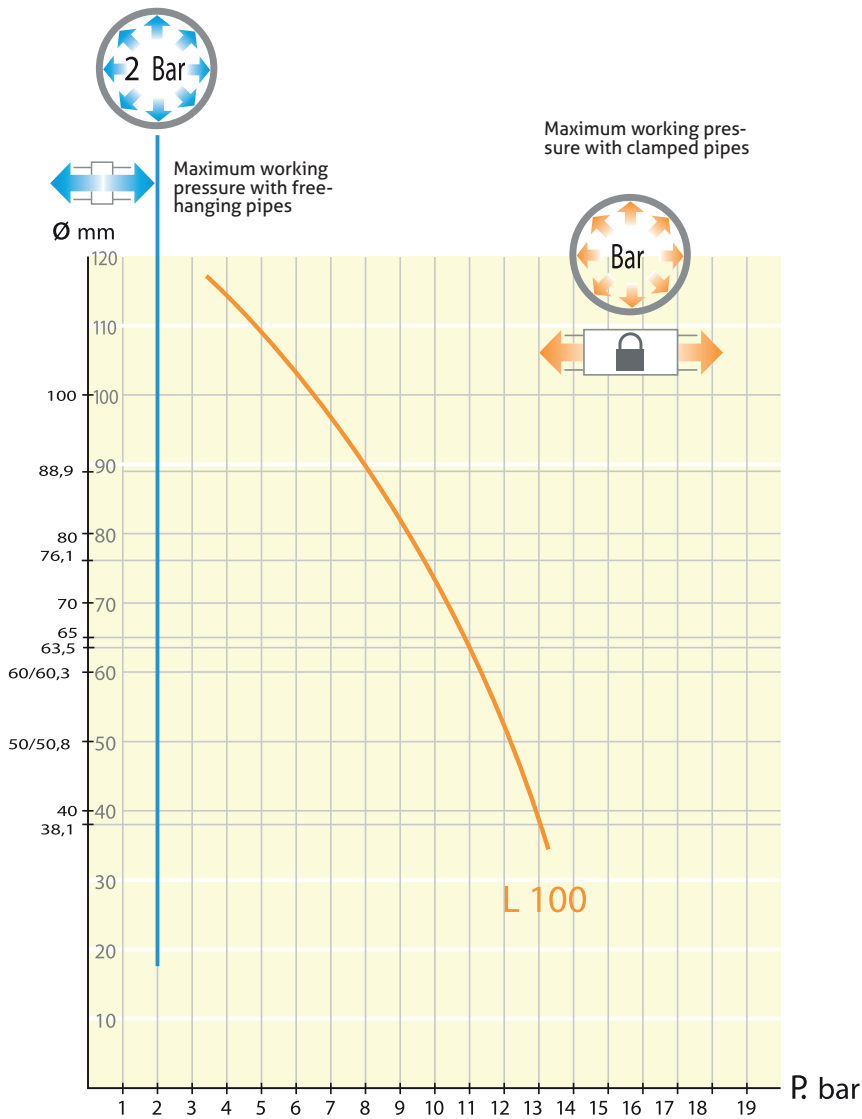
Product marking

Example: **EURAC® L** D 54

L	100 mm
Ø	38.1<>114.3 mm
BOLTS	M8
TIGHTENING	16 N/mm



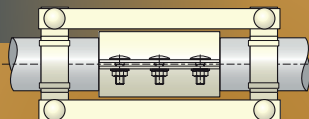
## MAX. PRESSURE CURVE FOR EURAC L100



Ø	L 100
38,1	Standard types
40	Order specific
45	Standard types
48,3	Standard types
50/50,8	Order specific
54	Standard types
55	Standard types
60/60,3	Order specific
63,5	Order specific
65	Standard types
70	Order specific
75	Standard types
76,1	Order specific
80	Standard types
82	Standard types
84	Standard types
85	Standard types
88,9	Order specific
90	Standard types
95	Standard types
100	Standard types
101,6	Order specific
104	Standard types
105	Standard types
108	Standard types
114,3	Order specific

### OPTIONS:

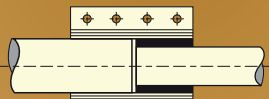
- Coupling with clamp and side bars



- Conductive protection ring in stainless steel 304L



- Coupling for two tubes with different diameters



Standard types



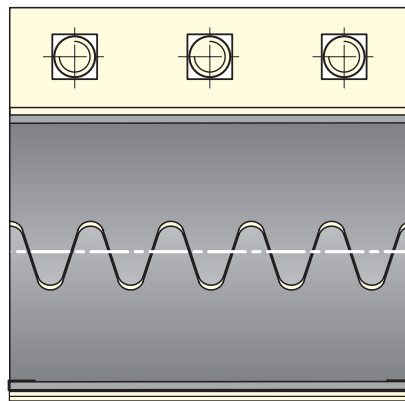
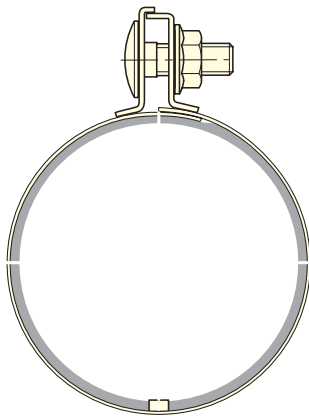
Order specific

Other diameters can be offered



Subject to alterations

COMPRESSION COUPLINGS ARE USED IN PNEUMATIC CONVEYING, VACUUM OR PRESSURE SYSTEMS TO HANDLE LIGHTER BULK MATERIALS.



**SPECIFICATION OF STANDARD COUPLING:**

- Outside skin in stainless steel 430
- Black SBR gasket -30°C/+80°C
- Zinc plated bolts
- Stainless steel 304 L, conductivity strip

**OTHER OPTIONS:**

- All stainless steel 304L version
- White NBR gasket FDA -30°C/+110°C ; European Regulation 1935/2004 CE and REACH 1907/2006 CE
- Silicone VMQ gasket -65°C/+225°C
- Viton FPM gasket -20°C/+250°C
- Coupling with clamp and side bars (see example)
- Coupling for two tubes with different diameters (see example)
- Conductivity strip in copper CU A1
- Conductive protecting ring in stainless steel 304L (see example)

Reference to regulation N° 97/23/CE.G2 Art. 3 §3

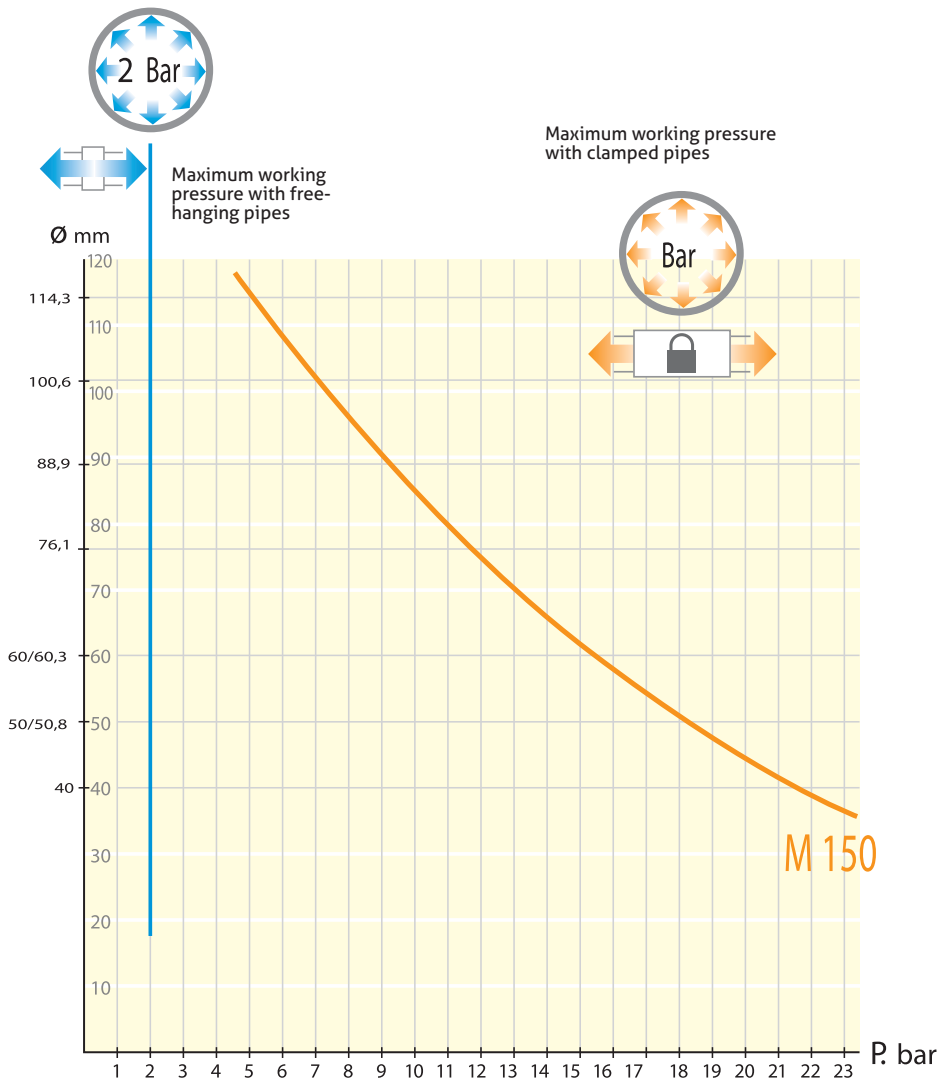
Product marking

Example: **EURAC**  D 63,5

<b>L</b>	150 mm
<b>Ø</b>	38.1<->114.3 mm
<b>BOLTS</b>	M8
<b>TIGHTENING</b>	16 N/mm



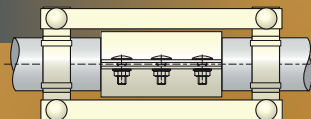
## MAX. PRESSURE CURVE FOR EURAC M150



Ø	L 150
38,1	
40	
45	
50/50,8	
54	
55	
60/60,3	
63,5	
65	
70	
75	
76,1	
80	
82	
84	
85	
88,9	
90	
95	
100	
101,6	
104	
105	
108	
114,3	

### OPTIONS:

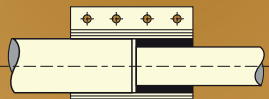
- Coupling with clamp and side bars



- Conductive protection ring in stainless steel 304L



- Coupling for two tubes with different diameters



Standard types



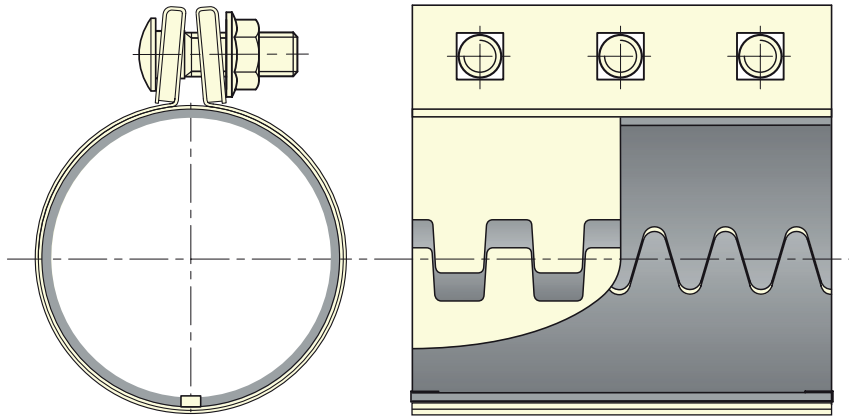
Order specific

Other diameters can be offered



Subject to alterations

COMPRESSION COUPLINGS ARE USED IN PNEUMATIC CONVEYING, VACUUM OR PRESSURE SYSTEMS.



**SPECIFICATION OF STANDARD COUPLING:**

- Outside skin in galvanised steel 430
- Inside skin in galvanised steel 430
- White NBR gasket FDA -30°C/+110°C ; European Regulation 1935/2004 CE and REACH 1907/2006 CE
- Zinc plated bolts
- Stainless steel 304 L, conductivity strip

**OTHER OPTIONS:**

- All stainless steel 304L version
- Black SBR gasket -30°C/+80°C
- Silicone VMQ gasket -65°C/+225°C
- Viton FPM gasket -20°C/+250°C
- Coupling with clamp and side bars (see ex.)
- Coupling for tubes with different diameters (see ex.)
- Conductivity strip in copper CU A1
- Conductive protecting ring in stainless steel 304L (see ex.)

Reference to regulation N° 97/23/CE.G2 Art. 3 §3

Product marking

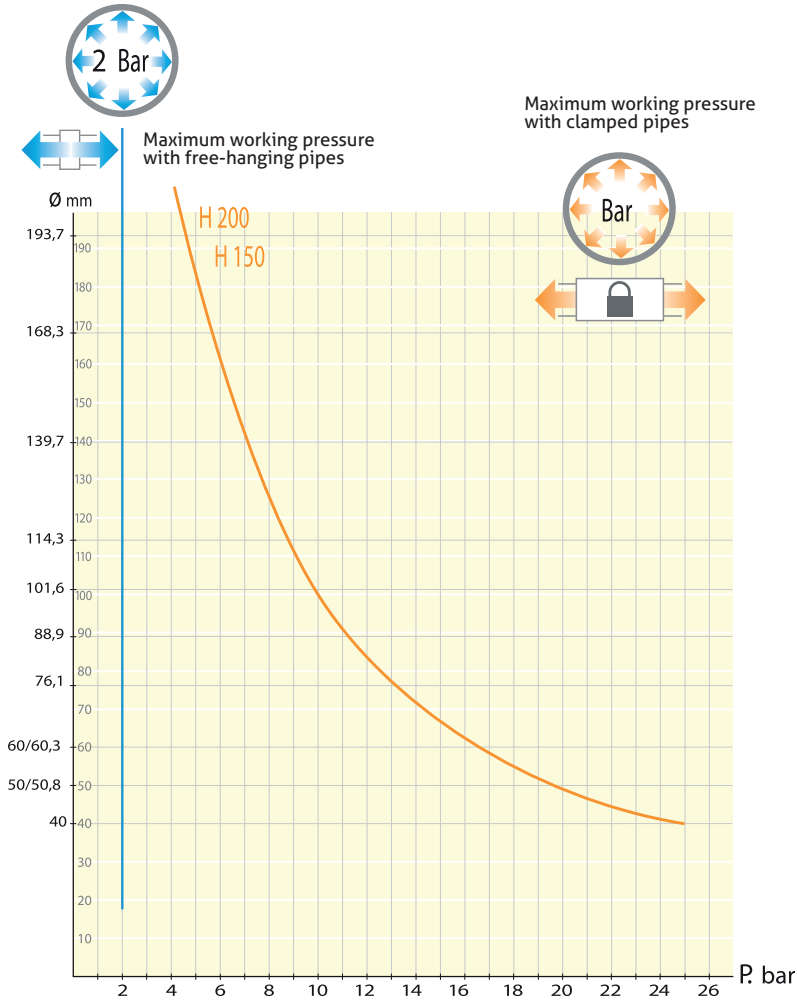
Example: **EURAC** **H** D 88,9

<b>L</b>	150-200 mm
<b>Ø</b>	38.1<->219.1 mm
<b>BOLTS</b>	M12<88,9 - M16>88,9
<b>TIGHTENING</b>	M12: 60 N/mm M16: 16 N/mm





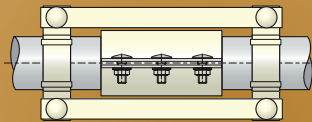
## MAX. PRESSURE CURVE FOR EURAC H150 & H200



Ø	L 150	L 200
38,1		
40		
45		
48,3		
50/50,8		
54		
55		
60/60,3		
63,5		
65		
70		
75		
76,1		
80		
82		
84		
85		
88,9		
90		
95		
100		
101,6		
104		
105		
108		
114,3		
125		
127		
129		
133		
139,7		
145		
152,4		
154		
155		
159		
168,3		
219,1		

### OPTIONS:

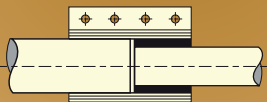
- Coupling with clamp and side bars



- Conductive protection ring in stainless steel 304L



- Coupling for two tubes with different diameters



Standard types

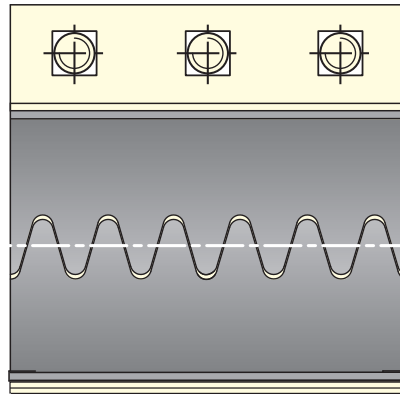
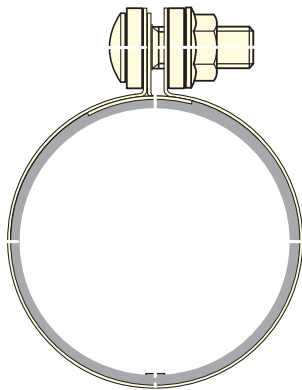


Order specific



Other diameters can be offered

COMPRESSION COUPLINGS ARE USED IN PNEUMATIC CONVEYING, VACUUM OR PRESSURE SYSTEMS.



**SPECIFICATION OF STANDARD COUPLING:**

- Outside skin in galvanised steel
- Gasket cover in galvanised steel for  $\varnothing < 193.7$  mm, and inside skin in galvanised steel for  $\varnothing \geq$  of 193.7mm and if L > 200mm
- White NBR gasket FDA  $-30^{\circ}\text{C}/+110^{\circ}\text{C}$ ; European Regulation 1935/2004 CE and REACH 1907/2006 CE
- Zinc plated bolts
- Stainless steel 304 L, conductivity strip

**OTHER OPTIONS:**

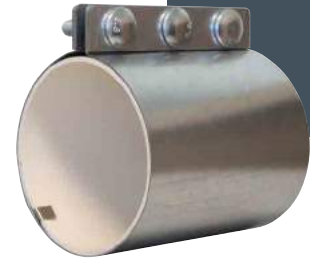
- All stainless steel 304L version
- Black SBR gasket  $-30^{\circ}\text{C}/+80^{\circ}\text{C}$
- Silicone VMQ gasket  $-65^{\circ}\text{C}/+225^{\circ}\text{C}$
- Viton FPM gasket  $-20^{\circ}\text{C}/+250^{\circ}\text{C}$
- Coupling with clamp and side bars (see ex.)
- Coupling for different diameters
- Conductivity strip in copper CU A1
- Conductive protection ring in stainless steel 304L (see ex.)

Reference to regulation N° 97/23/CE.G2 Art. 3 §3

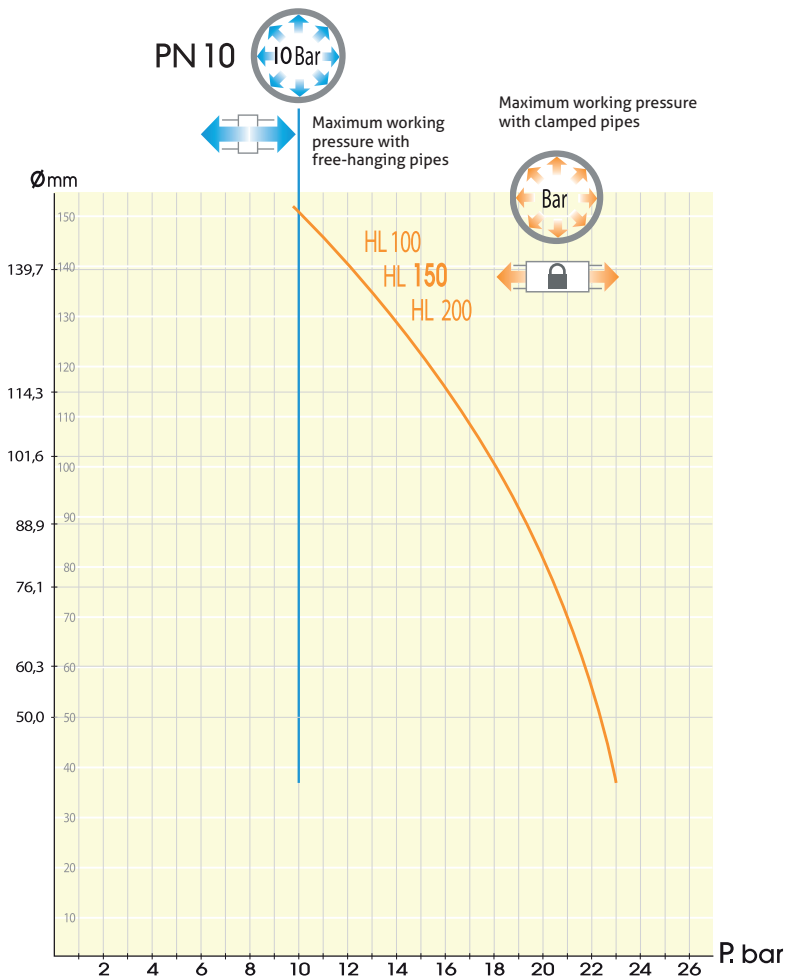
Product marking

Example: **EURAC<sup>®</sup> HL** D 88,9

L	100-150-200 mm
$\varnothing$	38.1 <> 193.7 mm
BOLTS	M12 < 88,9 - M16 > 88,9
TIGHTENING	M12: 60 N/mm



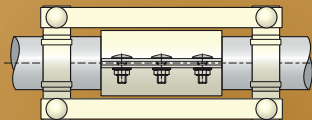
## MAX. PRESSURE CURVE FOR EURAC HL100, HL150 & HL200



Ø	L 100	L 150	L 200
38,1	Standard types	Order specific	Order specific
40	Standard types	Order specific	Order specific
45	Standard types	Order specific	Order specific
48,3	Standard types	Order specific	Order specific
50/50,8	Standard types	Standard types	Standard types
54	Standard types	Order specific	Order specific
55	Standard types	Order specific	Order specific
60/60,3	Standard types	Standard types	Standard types
63,5	Standard types	Order specific	Order specific
65	Standard types	Order specific	Order specific
70	Standard types	Standard types	Standard types
75	Standard types	Order specific	Order specific
76,1	Standard types	Standard types	Standard types
80	Standard types	Order specific	Order specific
82	Standard types	Order specific	Order specific
84	Standard types	Order specific	Order specific
85	Standard types	Order specific	Order specific
88,9	Standard types	Standard types	Standard types
90	Standard types	Order specific	Order specific
95	Standard types	Order specific	Order specific
100	Standard types	Order specific	Order specific
101,6	Standard types	Standard types	Standard types
104	Standard types	Order specific	Order specific
105	Standard types	Order specific	Order specific
108	Standard types	Order specific	Order specific
114,3	Standard types	Standard types	Standard types
125	Standard types	Order specific	Order specific
127	Standard types	Order specific	Order specific
129	Standard types	Order specific	Order specific
133	Standard types	Order specific	Order specific
139,7	Standard types	Standard types	Standard types
145	Standard types	Order specific	Order specific
152,4	Standard types	Order specific	Order specific
154	Standard types	Order specific	Order specific
155	Order specific	Order specific	Order specific
159	Order specific	Order specific	Order specific
168,3	Standard types	Order specific	Order specific
193,7	Not available	Not available	Order specific

### OPTIONS:

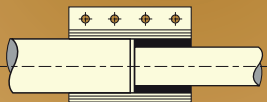
- Coupling with clamp and side bars



- Conductive protection ring in stainless steel 304L



- Coupling for two tubes with different diameters



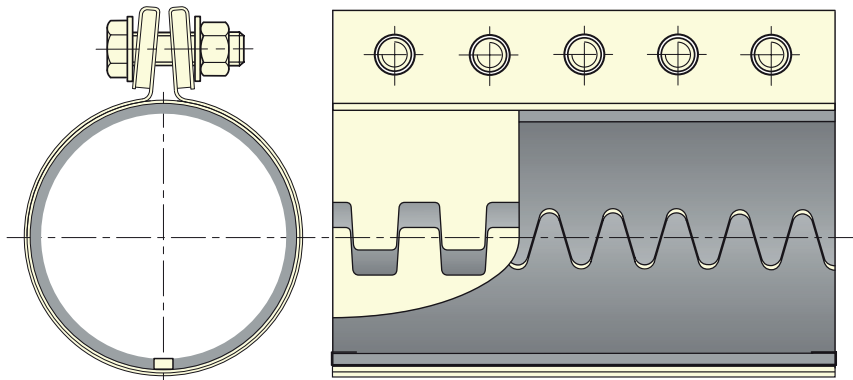
Standard types

Order specific  
Other diameters can be offered

Not available

Subject to alterations

COMPRESSION COUPLINGS ARE USED IN PNEUMATIC CONVEYING, VACUUM OR PRESSURE SYSTEMS.



**SPECIFICATION OF STANDARD COUPLING:**

- Outside skin in galvanised steel
- Inside skin in galvanised steel
- White NBR gasket FDA -30°C/+110°C ; European Regulation 1935/2004 CE and REACH 1907/2006 CE
- Zinc plated bolts
- Stainless steel 304 L, conductivity strip

**OTHER OPTIONS:**

- All stainless steel 304L version
- Black SBR gasket -30°C/+80°C
- Silicone VMQ gasket -65°C/+225°C
- Viton FPM gasket -20°C/+250°C
- Coupling with clamp and side bars (see ex.)
- Conductivity strip in copper CU A1 (see ex.)
- Conductive protection ring in stainless steel 304L

Reference to regulation N° 97/23/CE.G2 Art. 3 §3

Product marking

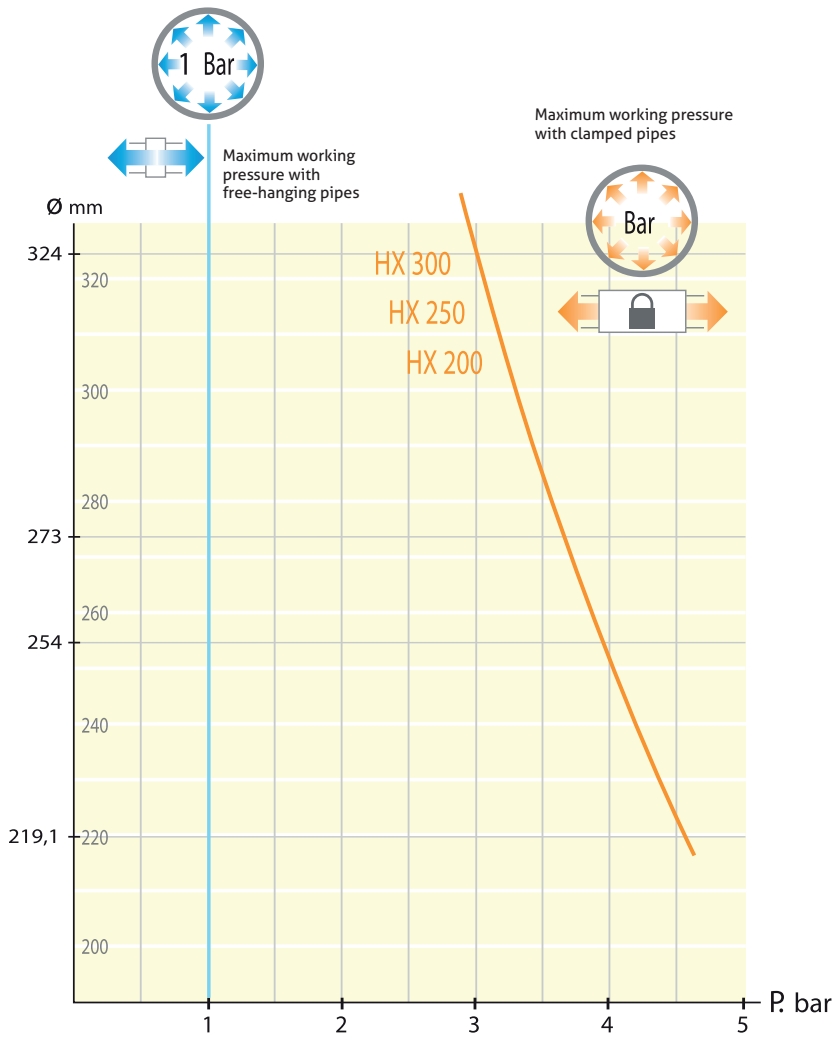
Example: **EURAC<sup>®</sup> HX** D 254

<b>L</b>	200-250-300 mm
<b>Ø</b>	200<->355,6 mm
<b>BOLTS</b>	M20
<b>TIGHTENING</b>	200 N/mm





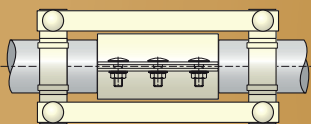
## MAX. PRESSURE CURVE FOR EURAC HX200, HX250 & HX300



Ø	L 200	L 250	L 300
200			
203,2			
219,1			
244,5			
254			
273			
323,9			
355,6			

**Order specific**  Other diameters can be offered

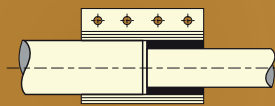
### OPTIONS:



- Coupling with clamp and side bars

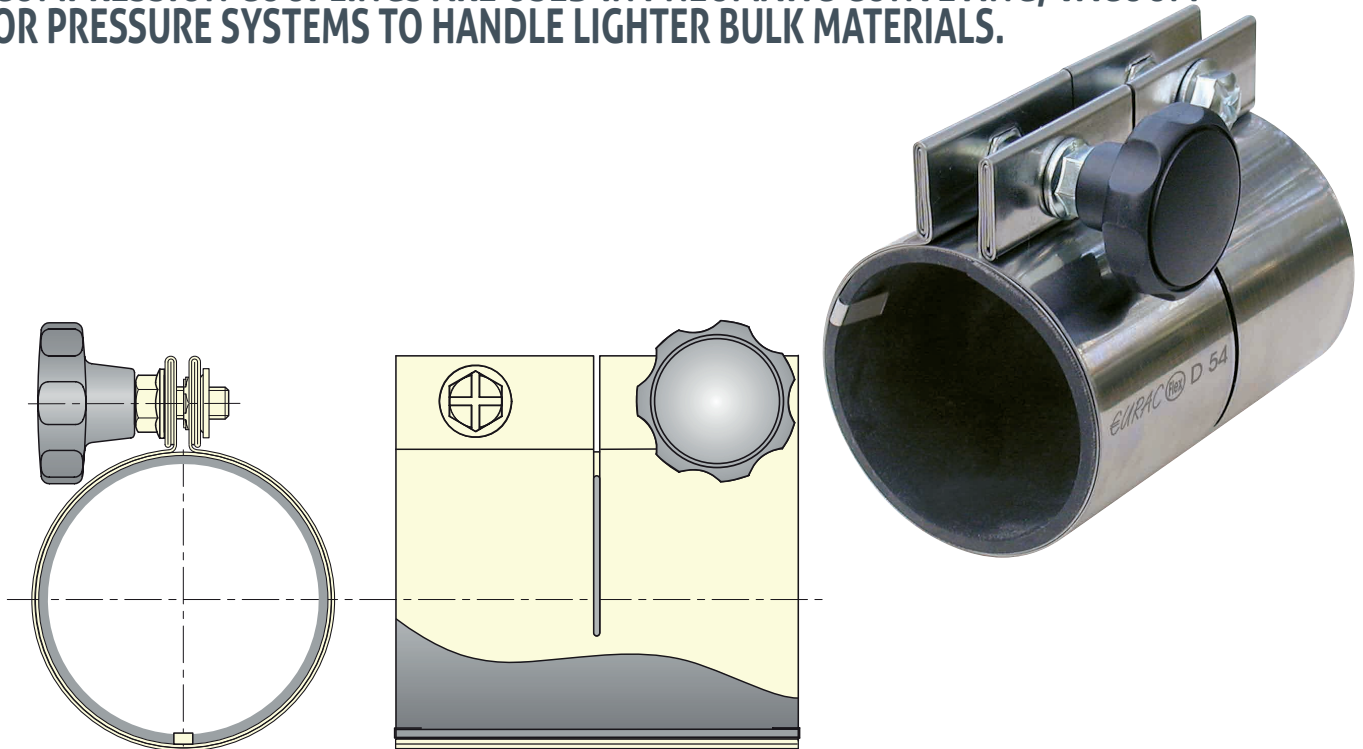


- Conductive protection ring in stainless steel 304L



- Coupling for two tubes with different diameters

COMPRESSION COUPLINGS ARE USED IN PNEUMATIC CONVEYING, VACUUM OR PRESSURE SYSTEMS TO HANDLE LIGHTER BULK MATERIALS.



**SPECIFICATION OF STANDARD COUPLING:**

- Outside skin in stainless steel 1.4016
- Inside skin in galvanised steel 1.4016
- Black SBR rubber gasket -30° C/+80° C
- Zinc plated bolts og plastic handle
- Stainless steel 304 L, conductivity strip

**OTHER OPTIONS:**

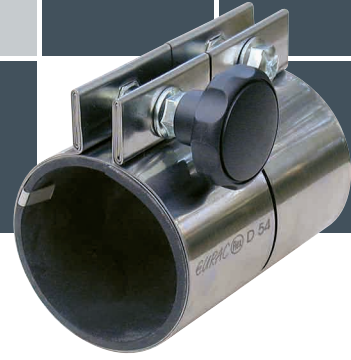
- All stainless steel 304L version
- White FDA gasket -30° C/+110° C

Reference to regulation N° 97/23/CE.G2 Art. 3 §3

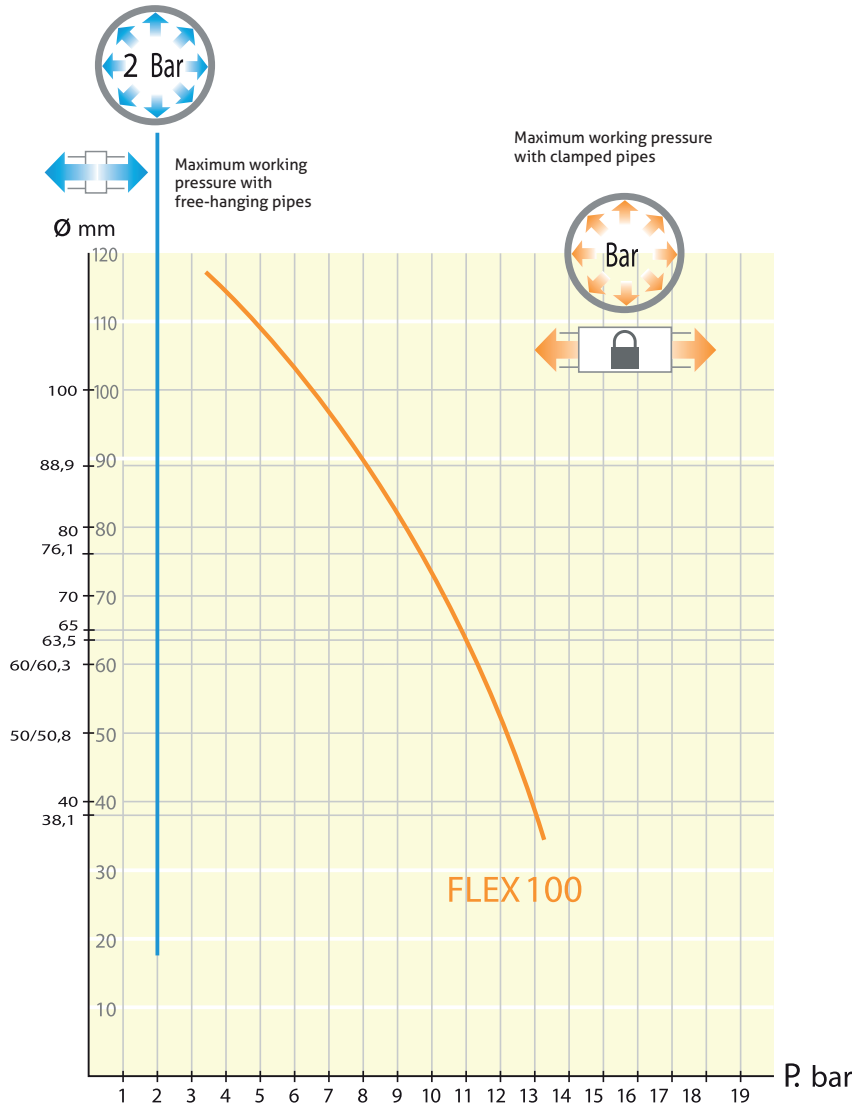
Product marking

Example: **EURAC**® **FLEX** D 54

L	100 mm
Ø	38,1<>114,3 mm
BOLTS	M8
TIGHTENING	16 N/mm



## MAX. PRESSURE CURVE FOR EURAC FLEX100

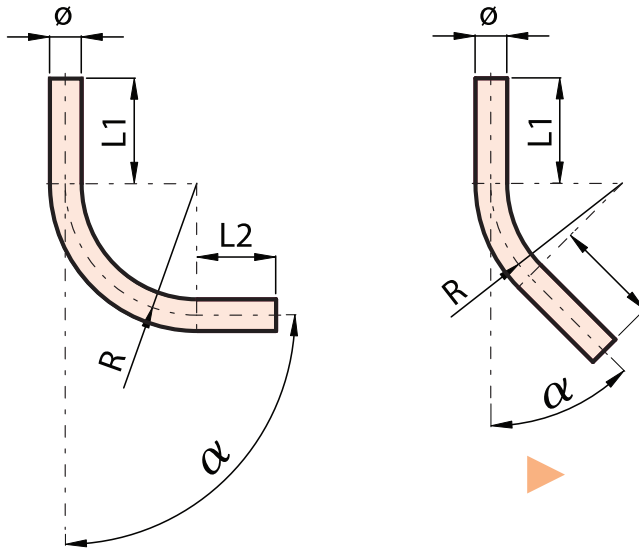


Ø	L 100
38,1	
40	
45	
48,3	
50/50,8	
54	
55	
60/60,3	
63,5	
65	
70	
75	
76,1	
80	
82	
84	
85	
88,9	
90	
95	
100	
101,6	
104	
105	
108	
114,3	

Order specific  Other diameters can be offered

# BENDS

## PIPE BENDS - STAINLESS STEEL 304 DEBURRED



02 BCBI		90		150		250		300		380		500		800		1000	
PIPE	R	45°	90°	45°	90°	45°	90°	45°	90°	45°	90°	45°	90°	45°	90°	45°	90°
	$\alpha$	L1=L2															
ø 38,1 x 1,5																	
ø 40 x 1,5																	
ø 45 x 1,5																	
ø 50 x 1,5																	
ø 60,3 x 1,5																	
ø 63,5 x 1,5																	
ø 65 x 1,5																	
ø 70 x 2																	
ø 76,1 x 2																	
ø 80 x 2																	
ø 84 x 2																	
ø 88,9 x 2																	
ø 101,6 x 2																	
ø 104 x 2																	
ø 108 x 2																	
ø 114,3 x 2																	

 Standard types

Subject to alterations

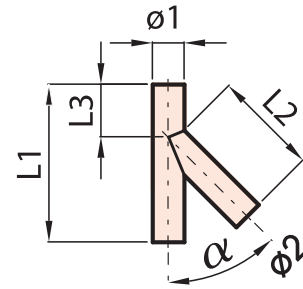


# BENDS

## CONNECTORS - STAINLESS STEEL 304 DEBURRED

### 02 BYAI - 30°

PIPE		$\alpha$	30°												
		L	L1					L2							
		R	250	300	370	400	450	160	200	250	300	350			
ø1 38,1 x 1,5	ø2 38,1 x 1,5														
ø1 40 x 1,5	ø2 40 x 1,5														
ø1 45 x 1,5	ø2 45 x 1,5														
ø1 50 x 1,5	ø2 50 x 1,5														
ø1 60,3 x 1,5	ø2 45 x 1,5														
ø1 60,3 x 1,5	ø2 60,3 x 1,5														
ø1 65 x 1,5	ø2 65 x 1,5														
ø1 70 x 2	ø2 70 x 2														
ø1 76,1 x 2	ø2 76,1 x 2														
ø1 80 x 2	ø2 80 x 2														
ø1 84 x 2	ø2 84 x 2														
ø1 88,9 x 2	ø2 88,9 x 2														
ø1 101,6 x 2	ø1 101,6 x 2														
ø1 108 x 2	ø2 108 x 2														
ø1 114,3 x 2	ø2 114,3 x 2														



$$L3 = L1 - L2$$



### 02 BYAI - 45°

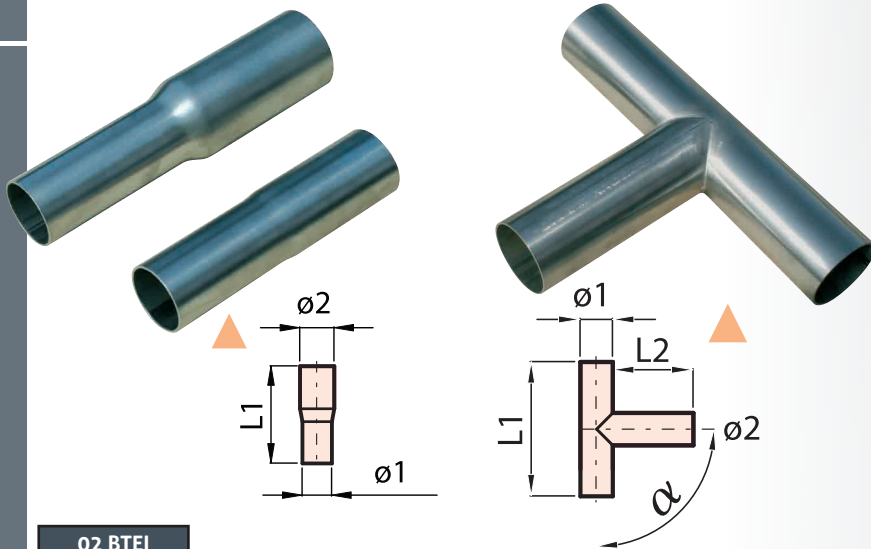
PIPE		$\alpha$	30°												
		L	L1					L2							
		R	250	300	370	400	450	160	200	250	300	350			
ø1 38,1 x 1,5	ø2 38,1 x 1,5														
ø1 40 x 1,5	ø2 40 x 1,5														
ø1 45 x 1,5	ø2 45 x 1,5														
ø1 50 x 1,5	ø2 50 x 1,5														
ø1 60,3 x 1,5	ø2 45 x 1,5														
ø1 60,3 x 1,5	ø2 60,3 x 1,5														
ø1 65 x 1,5	ø2 65 x 1,5														
ø1 70 x 2	ø2 70 x 2														
ø1 76,1 x 2	ø2 76,1 x 2														
ø1 80 x 2	ø2 80 x 2														
ø1 84 x 2	ø2 84 x 2														
ø1 88,9 x 2	ø2 88,9 x 2														
ø1 101,6 x 2	ø1 101,6 x 2														
ø1 108 x 2	ø2 108 x 2														
ø1 114,3 x 2	ø2 114,3 x 2														

 Standard types

Subject to alterations

# BENDS

## CONNECTORS - STAINLESS STEEL 304 DEBURRED



O2 BTEI		$\alpha$	L1		L2	
PIPE			90°	200	300	100
$\varnothing 1 50 \times 1,5$	$\varnothing 2 40 \times 1,5$					
$\varnothing 1 60,3 \times 1,5$	$\varnothing 2 45 \times 1,5$					
$\varnothing 1 60,3 \times 1,5$	$\varnothing 2 50 \times 1,5$					
$\varnothing 1 35 \times 1,5$	$\varnothing 2 50 \times 1,5$					
$\varnothing 1 76,1 \times 2$	$\varnothing 2 60,3 \times 1,5$					

O2 BTEI		$\alpha$	L1		L2	
PIPE			90°	200	300	100
$\varnothing 1 38,1 \times 1,5$	$\varnothing 2 38,1 \times 1,5$					
$\varnothing 1 40 \times 1,5$	$\varnothing 2 40 \times 1,5$					
$\varnothing 1 45 \times 1,5$	$\varnothing 2 45 \times 1,5$					
$\varnothing 1 50 \times 1,5$	$\varnothing 2 50 \times 1,5$					
$\varnothing 1 60,3 \times 1,5$	$\varnothing 2 60,3 \times 1,5$					
$\varnothing 1 65 \times 1,5$	$\varnothing 2 65 \times 1,5$					
$\varnothing 1 70 \times 2$	$\varnothing 2 70 \times 2$					
$\varnothing 1 76,1 \times 2$	$\varnothing 2 76,1 \times 2$					
$\varnothing 1 80 \times 2$	$\varnothing 2 80 \times 2$					
$\varnothing 1 84 \times 2$	$\varnothing 2 84 \times 2$					
$\varnothing 1 88,9 \times 2$	$\varnothing 2 88,9 \times 2$					
$\varnothing 1 101,6 \times 2$	$\varnothing 2 101,6 \times 2$					
$\varnothing 1 104 \times 2$	$\varnothing 2 104 \times 2$					
$\varnothing 1 114,3 \times 2$	$\varnothing 2 114,3 \times 2$					

Subject to alterations

O2 BREI		PIPE		L1	
$\varnothing 1$	$\varnothing 2$	150	200		
$\varnothing 1 38 \times 1,5$	$\varnothing 2 40 \times 1,5$				
$\varnothing 1 38 \times 1,5$	$\varnothing 2 45 \times 1,5$				
$\varnothing 1 38 \times 1,5$	$\varnothing 2 54 \times 1,5$				
$\varnothing 1 40 \times 1,5$	$\varnothing 2 45 \times 1,5$				
$\varnothing 1 40 \times 1,5$	$\varnothing 2 50 \times 1,5$				
$\varnothing 1 40 \times 1,5$	$\varnothing 2 54 \times 1,5$				
$\varnothing 1 40 \times 1,5$	$\varnothing 2 60,3 \times 1,5$				
$\varnothing 1 45 \times 1,5$	$\varnothing 2 50 \times 1,5$				
$\varnothing 1 45 \times 1,5$	$\varnothing 2 54 \times 1,5$				
$\varnothing 1 45 \times 1,5$	$\varnothing 2 60,3 \times 1,5$				
$\varnothing 1 50 \times 1,5$	$\varnothing 2 54 \times 1,5$				
$\varnothing 1 50 \times 1,5$	$\varnothing 2 60,3 \times 1,5$				
$\varnothing 1 50 \times 1,5$	$\varnothing 2 65 \times 1,5$				
$\varnothing 1 50 \times 1,5$	$\varnothing 2 70 \times 1,5$				
$\varnothing 1 54 \times 1,5$	$\varnothing 2 70 \times 1,5$				
$\varnothing 1 60,3 \times 1,5$	$\varnothing 2 65 \times 1,5$				
$\varnothing 1 60,3 \times 1,5$	$\varnothing 2 70 \times 1,5$				
$\varnothing 1 60,3 \times 1,5$	$\varnothing 2 76,1 \times 1,5$				
$\varnothing 1 65 \times 2$	$\varnothing 2 80 \times 1,5$				
$\varnothing 1 65 \times 2$	$\varnothing 2 70 \times 2$				
$\varnothing 1 65 \times 2$	$\varnothing 2 76,1 \times 2$				
$\varnothing 1 65 \times 2$	$\varnothing 2 80 \times 2$				
$\varnothing 1 70 \times 2$	$\varnothing 2 84 \times 2$				
$\varnothing 1 70 \times 2$	$\varnothing 2 76,1 \times 2$				
$\varnothing 1 70 \times 2$	$\varnothing 2 80 \times 2$				
$\varnothing 1 76,1 \times 2$	$\varnothing 2 88,9 \times 2$				
$\varnothing 1 76,1 \times 2$	$\varnothing 2 80 \times 2$				
$\varnothing 1 76,1 \times 2$	$\varnothing 2 84 \times 2$				
$\varnothing 1 80 \times 2$	$\varnothing 2 88,9 \times 2$				
$\varnothing 1 80 \times 2$	$\varnothing 2 84 \times 2$				
$\varnothing 1 84 \times 2$	$\varnothing 2 88,9 \times 2$				
$\varnothing 1 84 \times 2$	$\varnothing 2 88,9 \times 2$				
$\varnothing 1 84 \times 2$	$\varnothing 2 101,6 \times 2$				
$\varnothing 1 88,9 \times 2$	$\varnothing 2 104 \times 2$				
$\varnothing 1 88,9 \times 2$	$\varnothing 2 101,6 \times 2$				
$\varnothing 1 88,9 \times 2$	$\varnothing 2 104 \times 2$				
$\varnothing 1 101,6 \times 2$	$\varnothing 2 108 \times 2$				
$\varnothing 1 101,6 \times 2$	$\varnothing 2 104 \times 2$				
$\varnothing 1 101,6 \times 2$	$\varnothing 2 108 \times 2$				
$\varnothing 1 101,6 \times 2$	$\varnothing 2 114,3 \times 2$				
$\varnothing 1 104 \times 2$	$\varnothing 2 108 \times 2$				
$\varnothing 1 104 \times 2$	$\varnothing 2 114,3 \times 2$				
$\varnothing 1 104 \times 2$	$\varnothing 2 114,3 \times 2$				

Standard types







**SBK** SKANDINAVISK A/  
BÅNDKOMPAGNI S

[www.sbk-belt.dk](http://www.sbk-belt.dk)

Birkegårdsvej 34 A | DK-8361 Hasselager  
T: +45 87 34 70 80 | F: +45 87 34 70 81 | E: [info@sbk-belt.dk](mailto:info@sbk-belt.dk)