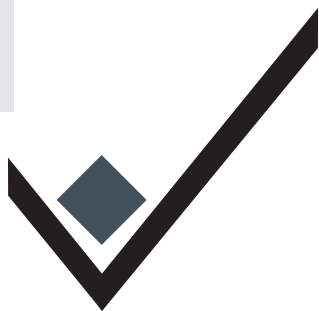
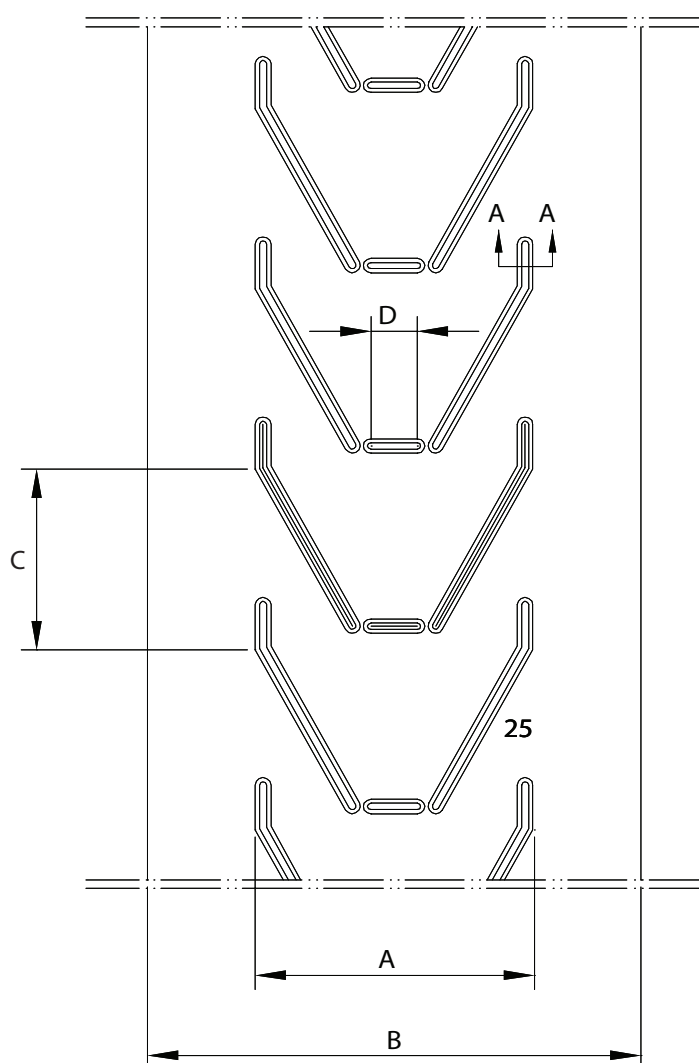


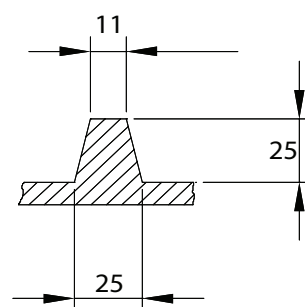
SBK



STANDARD CHEVRON BELTING VMM-25



Cross section A-A



Type	Profile height mm	Profile width mm A	Belt width mm B	Base belt	Pitch	Angle D
VMM-25/425	25	425	500-800	EP250/2-2+1,5	312,5	75
				EP400/3-3+1,5		
VMM-25/750	25	750	800-1600	EP400/3-3+1,5	451	182
				EP500/4-4+2		

Skandinavisk Båndkompagni A/S

Birkegårdsvej 34A • DK 8361 Hasselager • Tel. +45 8734 7080 • info@sbk-belt.dk • www.sbk-belt.dk

Subject to alterations